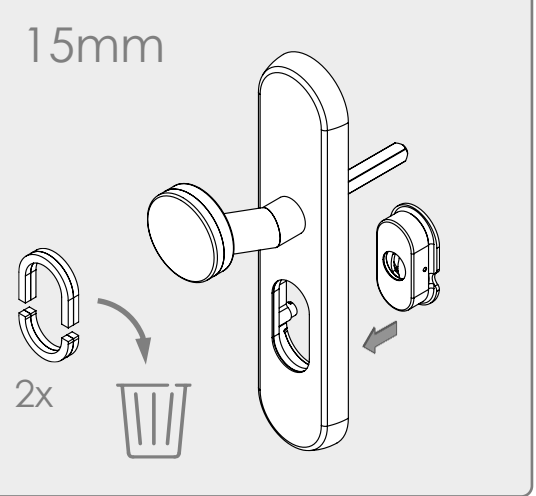
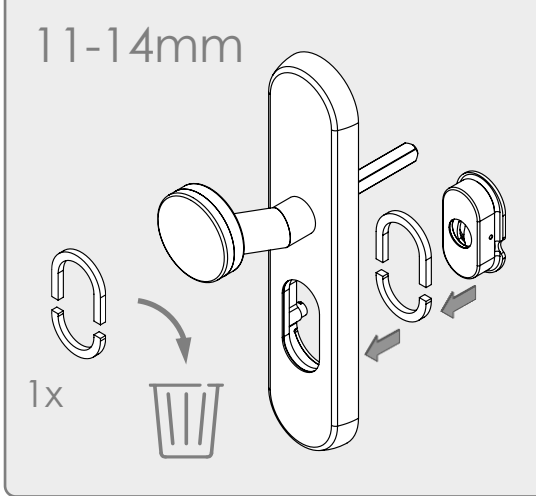
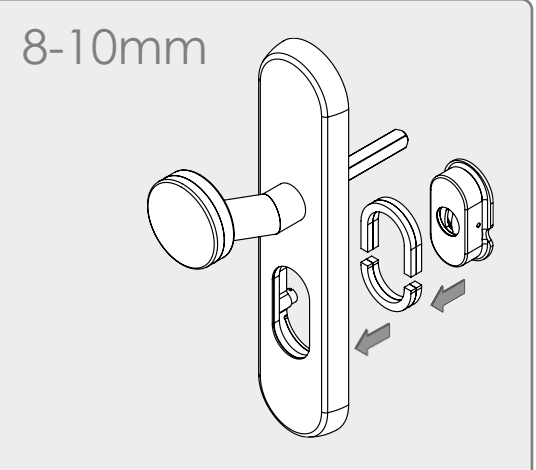
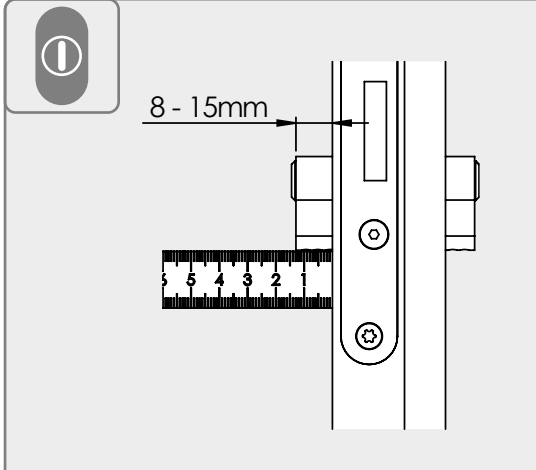
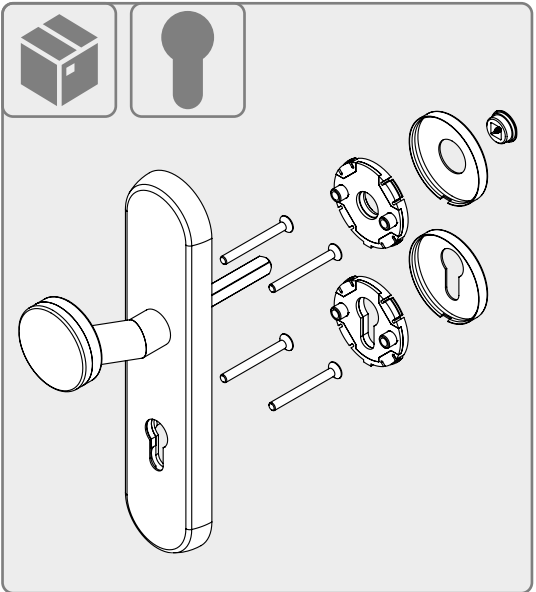
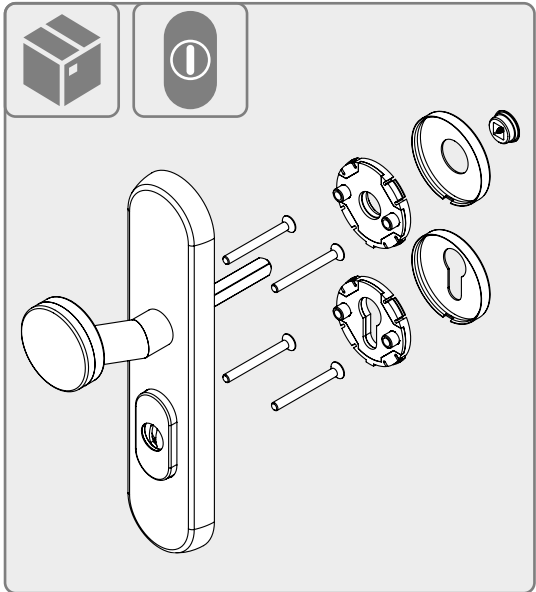
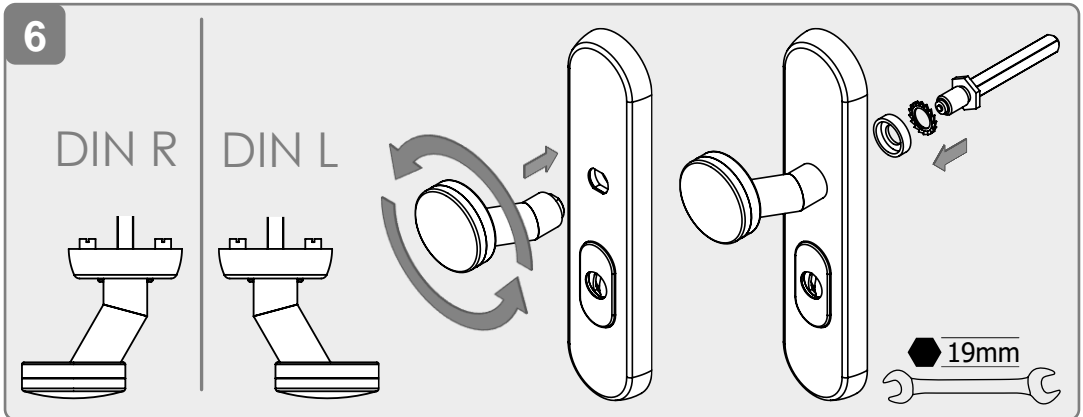
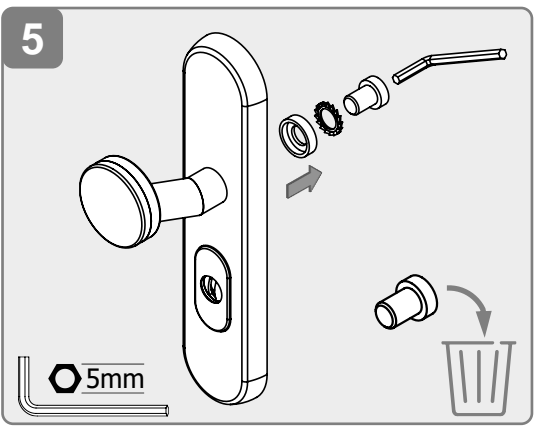
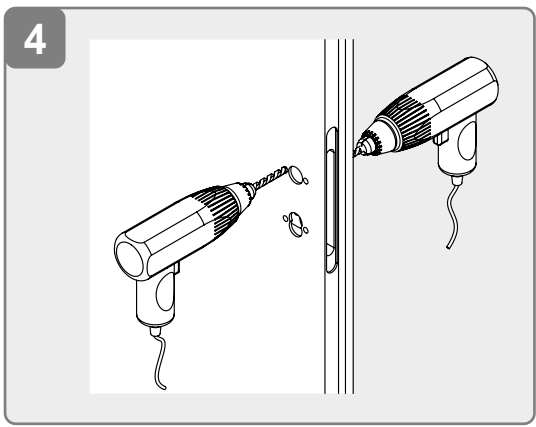
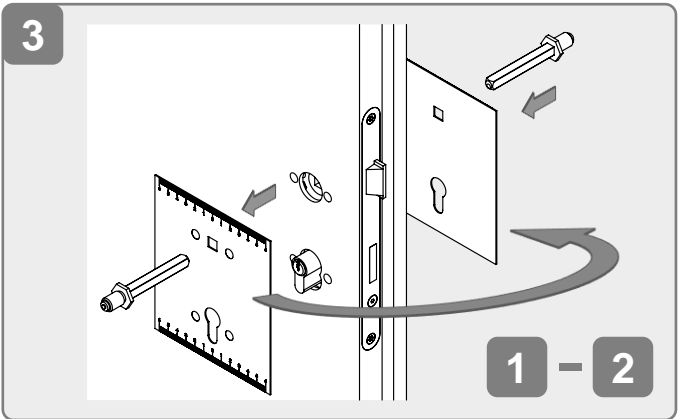
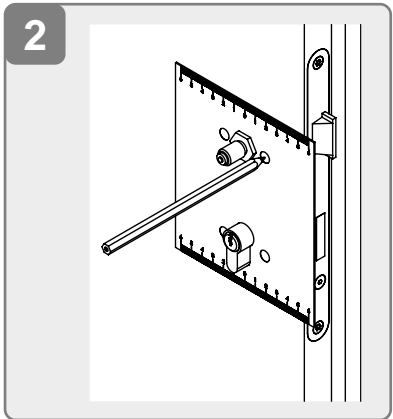
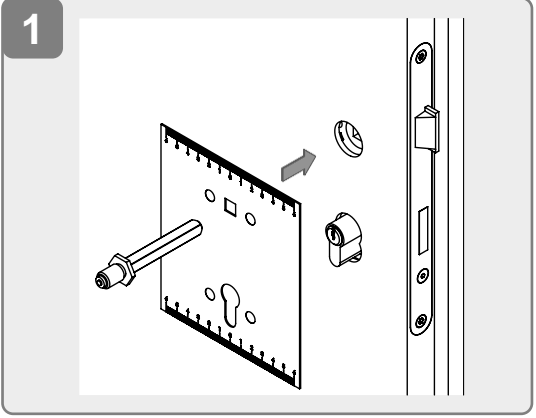
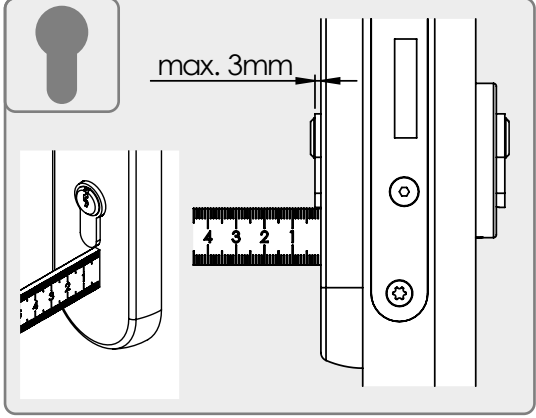


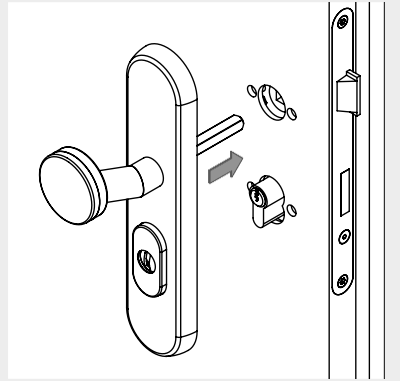
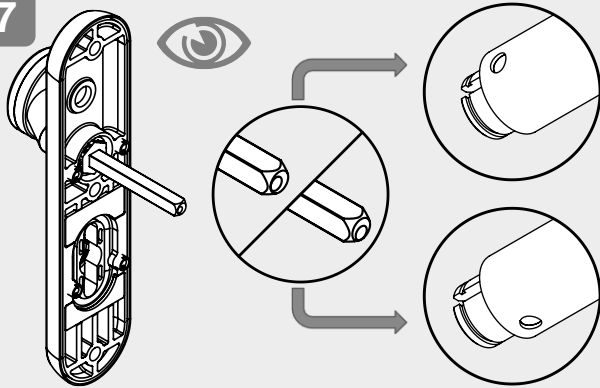
# MONTAGEANLEITUNG KOMBI-SCHUTZBESCHLAG MOUNTING INSTRUCTION ROSE SECURITY FITTING

M0000041

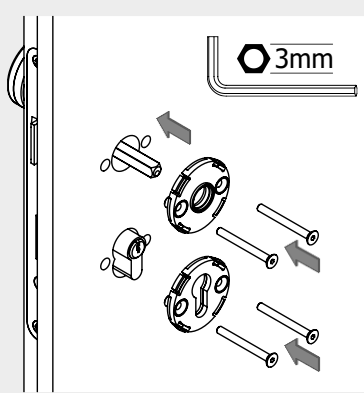




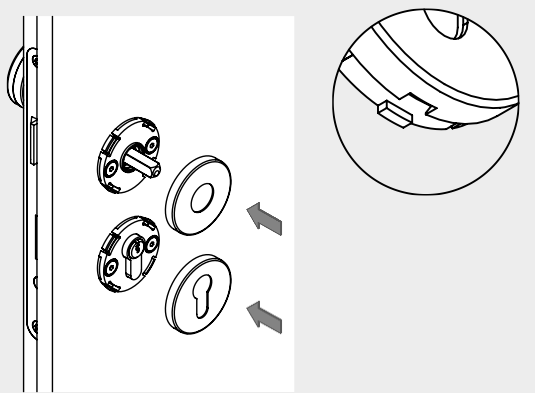
7



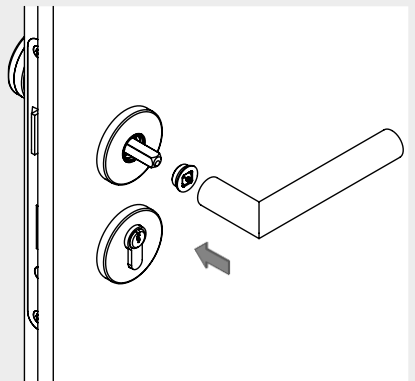
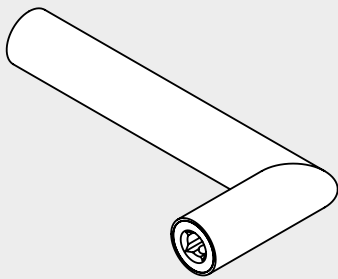
8



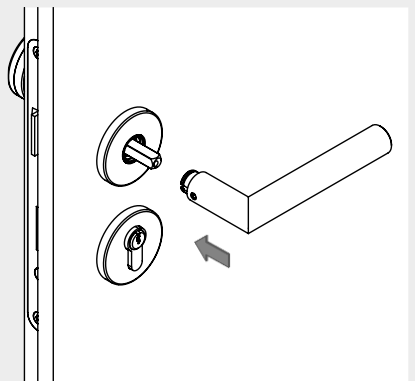
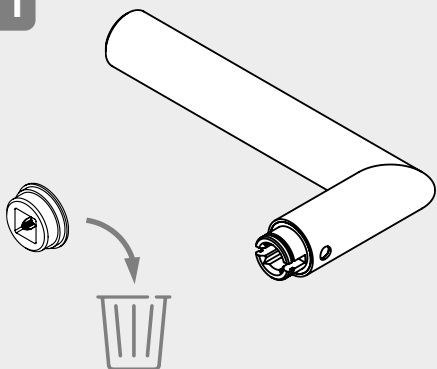
9



10



11



12

